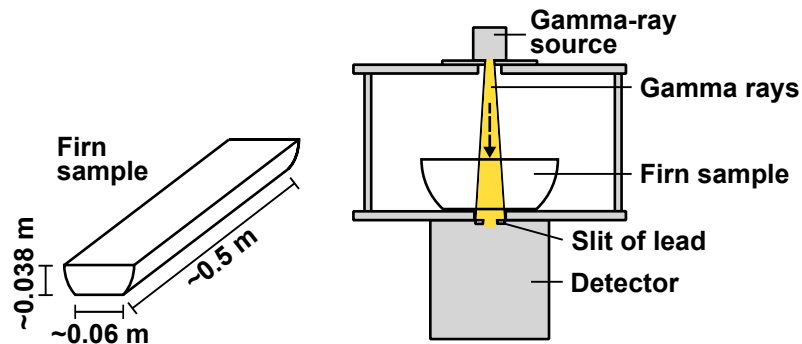
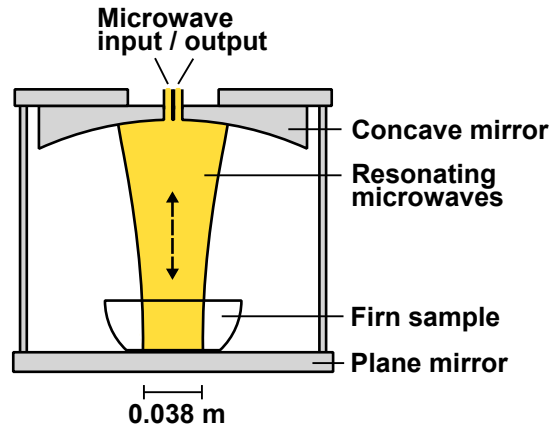


(a) Gamma-ray transmission method



(b) Dielectric tensor method (DTM)



(c) Line scanning system for Near-infrared (NIR) reflectance

