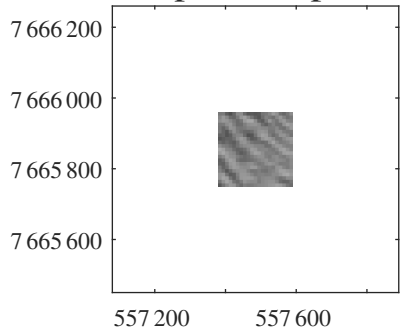
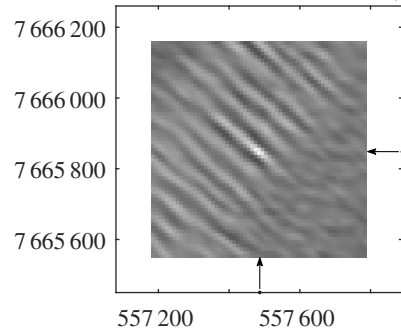


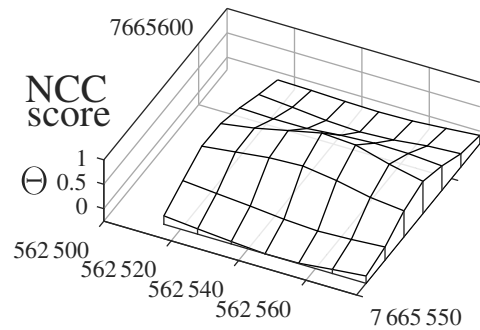
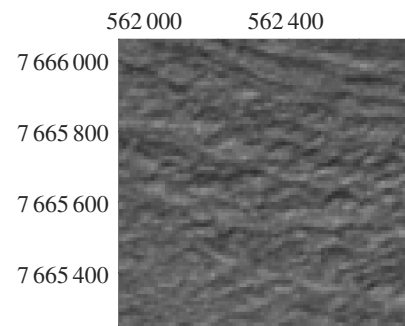
↑ search space
template/chip ↓



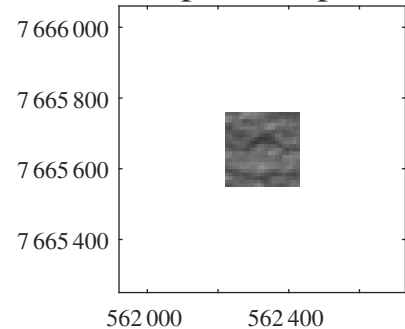
↑ zoom in
correlation surface ↓



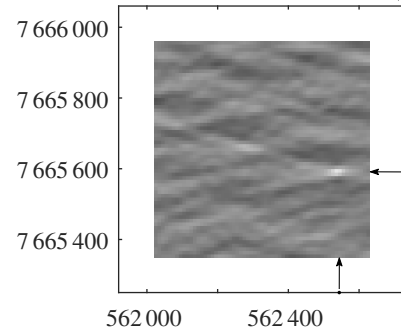
(a) Correlation ridge due to cravesse orientation



↑ search space
template/chip ↓



↑ zoom in
correlation surface ↓



(b) Correlation ridge due to shear